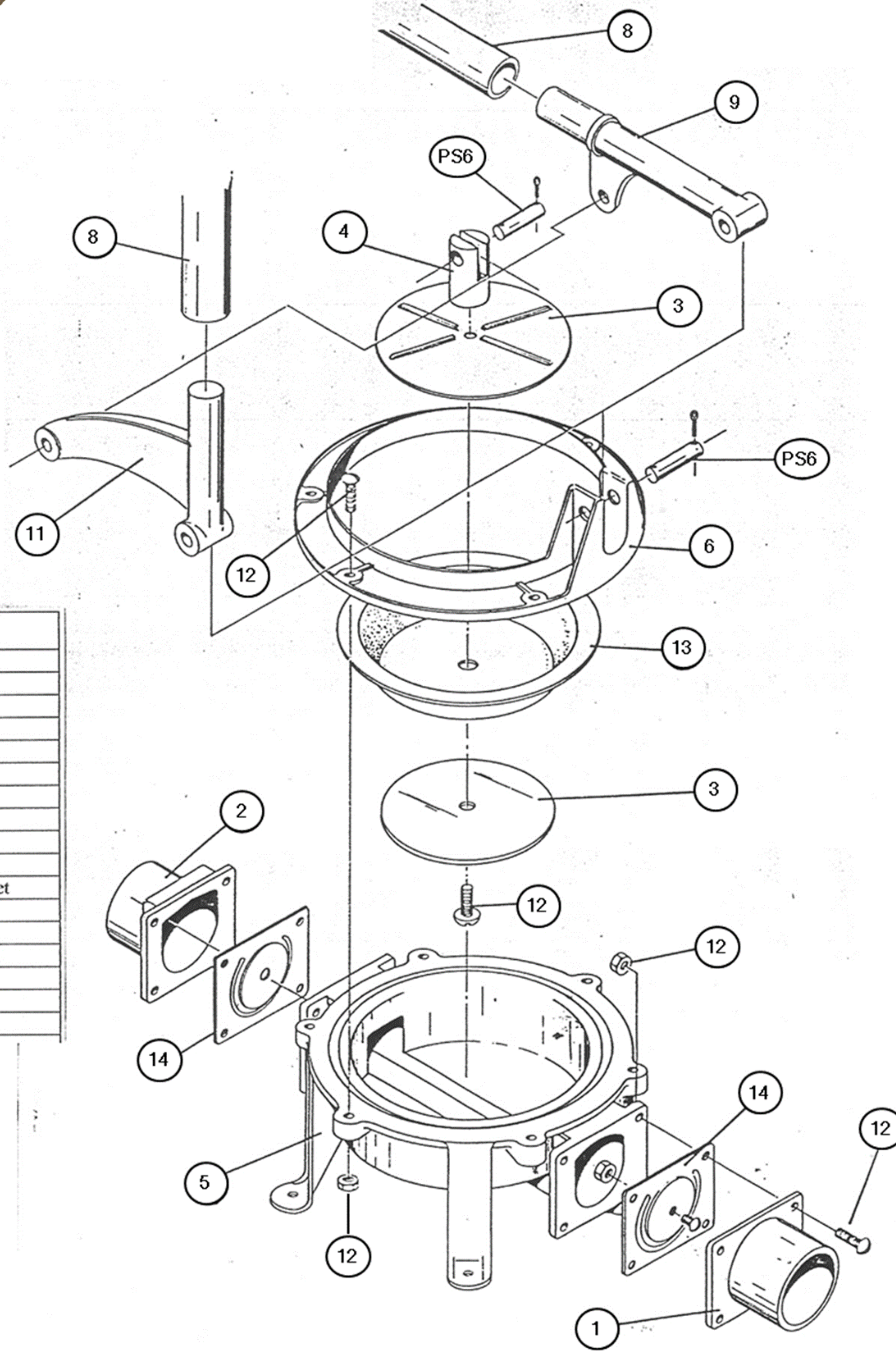


Replacing the Diaphragm on a "600" Hand Pump



ITEM	PART NAME
1	Inlet Flange
2	Outlet Flange
3	Button (2)
4	Clevis
5	Body
6	Clamp Ring
8	Handle w/grip
9	Horizontal Actuator & pin set
11	Vertical Actuator & pin set
12	Hardware Set
	PPH10-24x3/4 (8) inlet/outlet
	PPH10-24x1 (6) clamp ring
	HN10-24 (14)
	TH1/4-20x1/2 (1) diaphragm
13	Diaphragm
14	Flapper Valves
PS6	Pin Set

Question

"How do I replace the diaphragm on my "600" series Guzzler pump?"

INSTRUCTIONS FOR REPLACING PUMP DIAPHRAGM (13)

- 1: Remove clevis pin (PS6) which attaches the handle to the clevis (4).
- 2: Remove the six screws which hold the clamp ring (6) to the body (5). The diaphragm assembly can now be removed from the body.
- 3: Remove the slotted 1/4-20x1/2 screw (12) and the lower button (3) from the diaphragm assembly. The diaphragm can now be removed.
- 4: Replace the diaphragm and reassemble reversing the above steps.*

Note:

There is a rubber washer (1-1/2x1/2x1/32) on either side of the diaphragm. These two washers should be re-used when reassembling the new diaphragm onto the clevis.