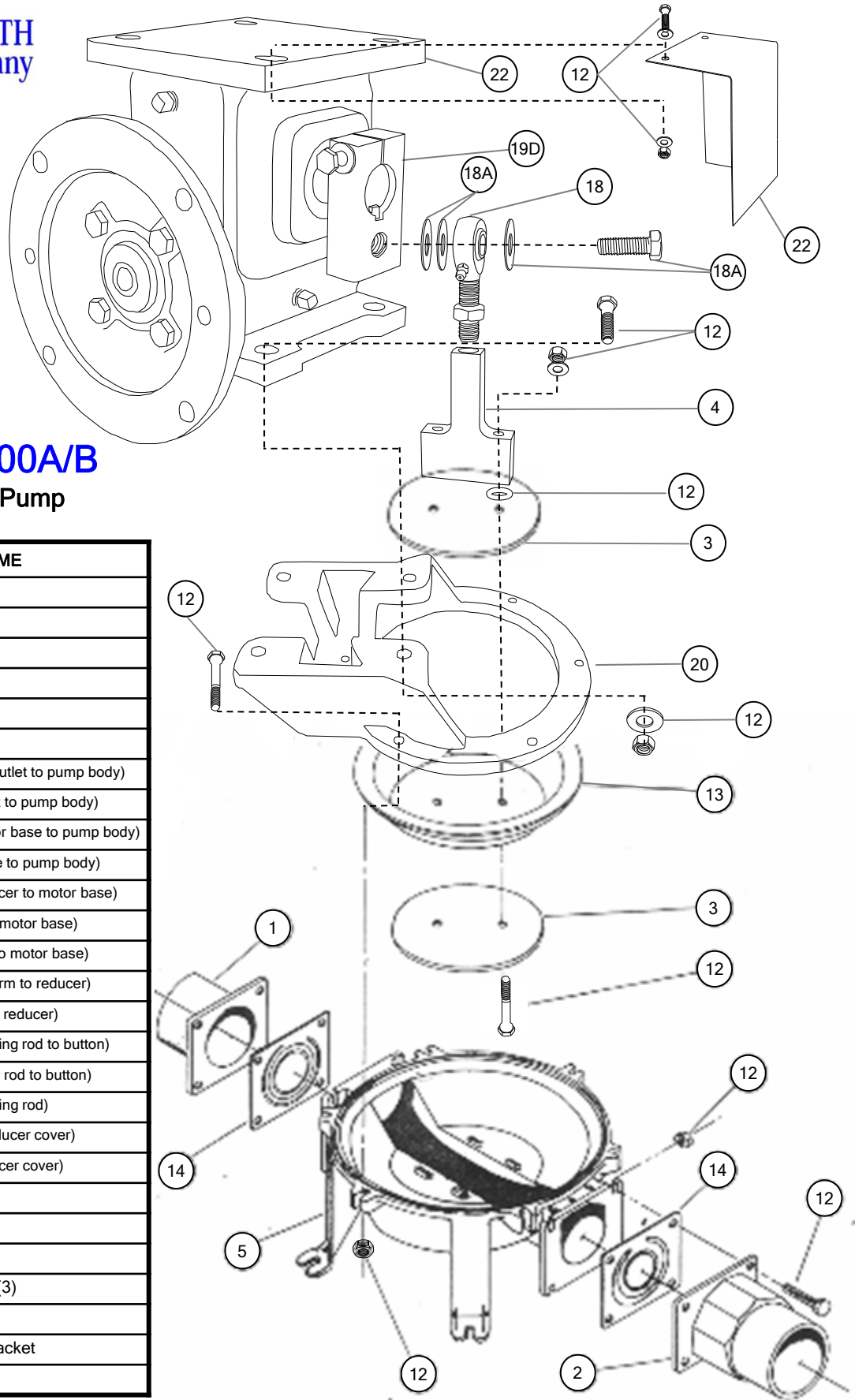




930 Waterman Avenue East  
 Providence, RI 02914  
 Ph: 401-438-1110 888-438-1110  
 Fax: 401-438-2713  
[www.thebosworthco.com](http://www.thebosworthco.com)

**Note:** A part is specified by  
**Part Model #.**

**Part Model # =**  
 Pump Family Model # + ".  
 + Item #  
 e.g. **GE-2600A.5** (Body)



## Guzzler® GE-2600A/B Motor-ready Diaphragm Pump

ITEM	PART NAME
1	Inlet Flange
2	Outlet Flange
3	Button (2)
4	Connecting Rod
5	Body
12	Hardware
	HH1/4-20x7/8 Bolt (8) (inlet/outlet to pump body)
	HN1/4-20 Nut (8) (inlet/outlet to pump body)
	HH1/4-20x1-1/2 Bolt (6) (motor base to pump body)
	HN1/4-20 Nut (6) (motor base to pump body)
	HH3/8-16x1-1/2 Bolt (4) (reducer to motor base)
	HN3/8-16 Nut (4) (reducer to motor base)
	GW3/8 Washer (8) (reducer to motor base)
	HH1/4-20x1-1/2 Bolt (crank arm to reducer)
	GW1/4 Washer (crank arm to reducer)
	HH1/4-20x2 Bolt (2) (connecting rod to button)
	HN1/4-20 Nut (2) (connecting rod to button)
	O-Ring (2) (button to connecting rod)
	HH1/4-28x1 Bolt (2) (gear reducer cover)
	HH1/4 Washer (2) (gear reducer cover)
13	Diaphragm
14	Flapper Valves
18	Rod End Bearing w/Nut
18A	Rod End Bolt w/Washers (3)
19D	Crank Arm
20	Motor Base / Mounting Bracket
22	Gear Reducer & Cover